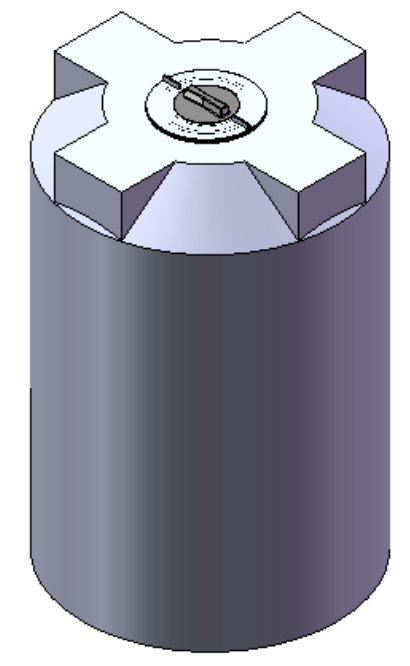
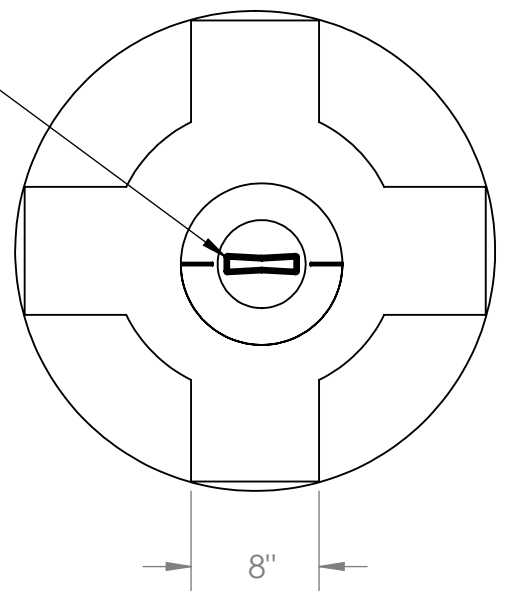


8 7 6 5 4 3 2 1

D
C
B
A

D
C
B
A

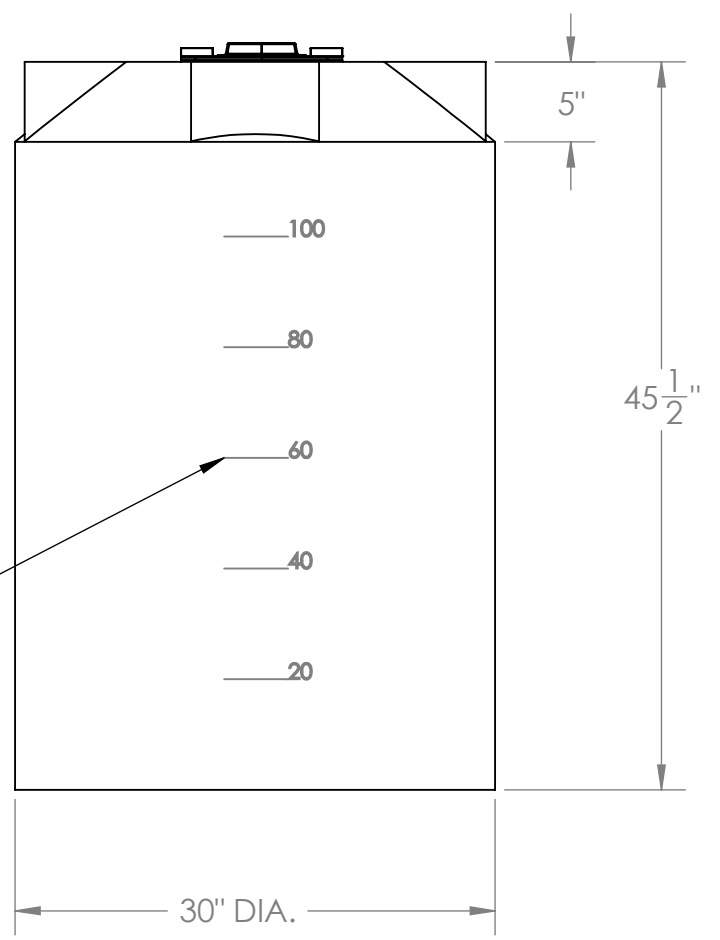
8" THREADED LID
W/ 4" BREATHER



NOTES:

1. MATERIAL: POLYETHYLENE.
2. WEIGHT: 35 LBS

APPROX.
GALLON MARKERS



PROPRIETARY AND CONFIDENTIAL
THE INFORMATION CONTAINED IN THIS DRAWING IS THE SOLE PROPERTY OF <INSERT COMPANY NAME HERE>. ANY REPRODUCTION IN PART OR AS A WHOLE WITHOUT THE WRITTEN PERMISSION OF <INSERT COMPANY NAME HERE> IS PROHIBITED.

		UNLESS OTHERWISE SPECIFIED:		NAME	DATE	CUSTOM ROTO-MOLDING, INC.	
		DIMENSIONS ARE IN INCHES		DRAWN	EBW	08/13/08	TITLE: 130 GALLON VERTICAL TANK W/ 8" LID
		TOLERANCES:		CHECKED			
		FRACTIONAL ±		ENG APPR.			
		ANGULAR: MACH ± BEND ±		MFG APPR.			
		TWO PLACE DECIMAL ±		Q.A.			SIZE DWG. NO. REV
		THREE PLACE DECIMAL ±		COMMENTS:			B 130 VT
NEXT ASSY	USED ON	INTERPRET GEOMETRIC TOLERANCING PER:					SCALE: 1:16 WEIGHT: SHEET 1 OF 1
		MATERIAL					
		FINISH					
APPLICATION		DO NOT SCALE DRAWING					

8 7 6 5 4 3 2 1