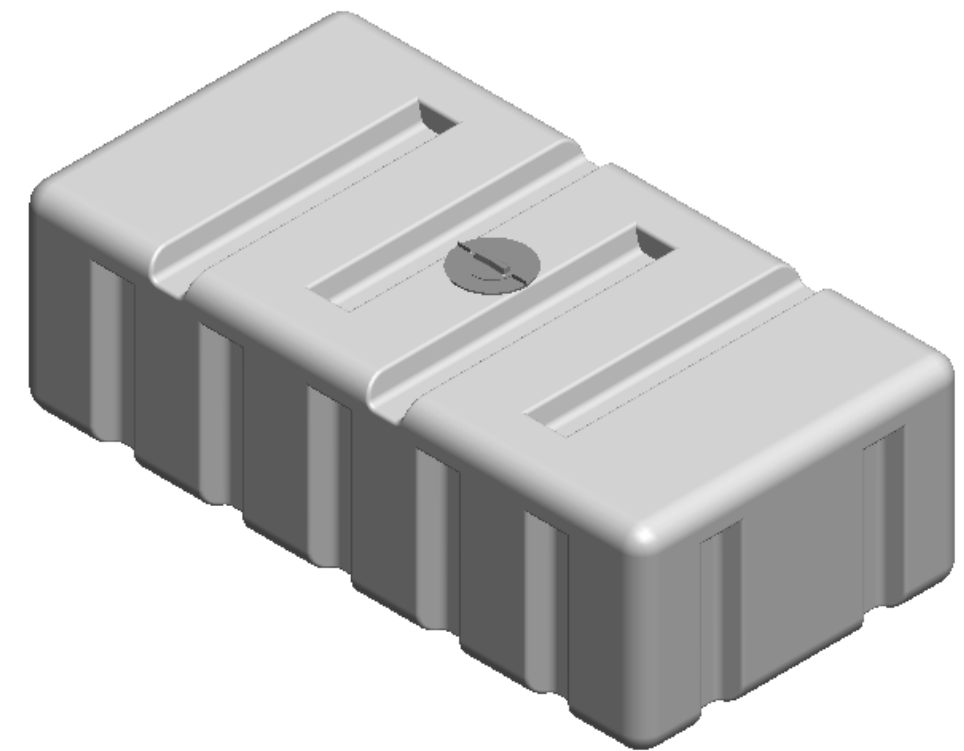
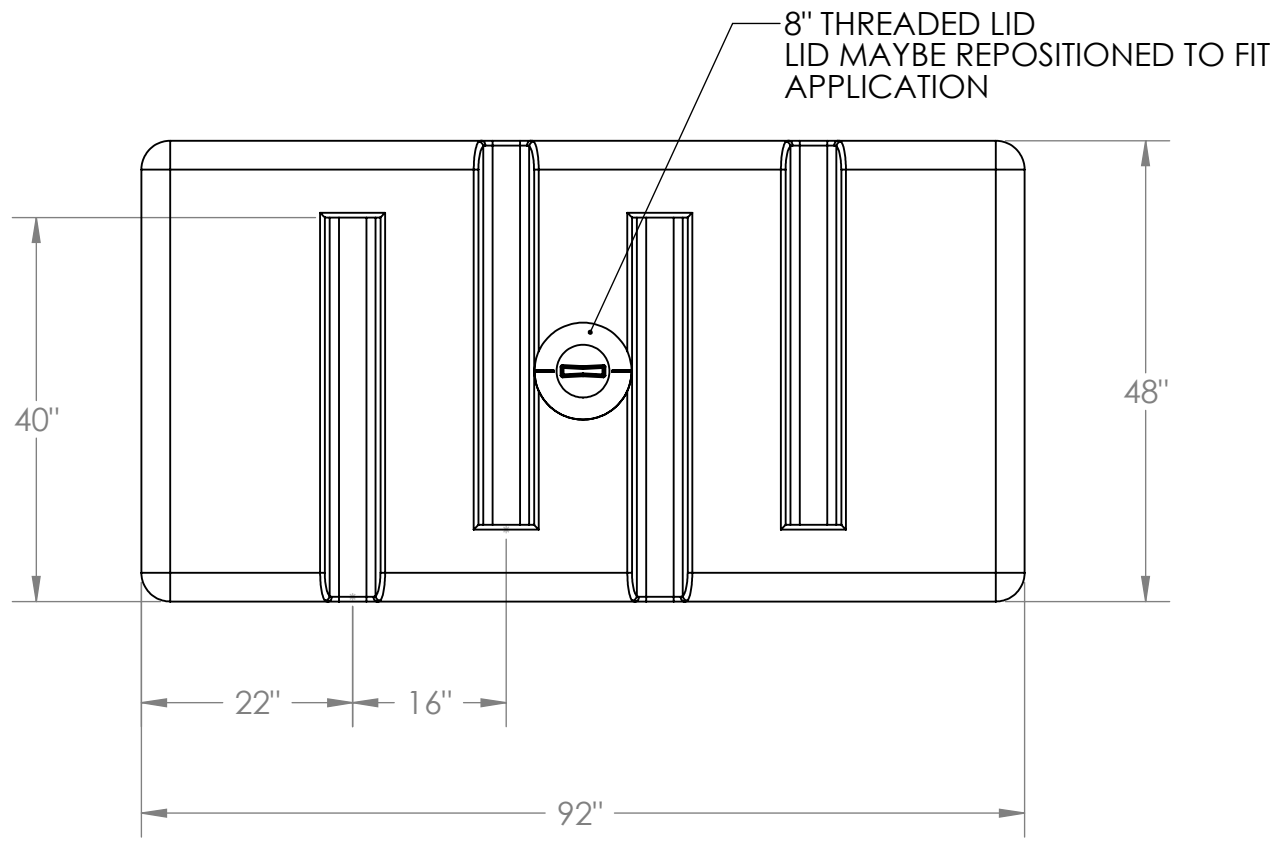


8 7 6 5 4 3 2 1

D

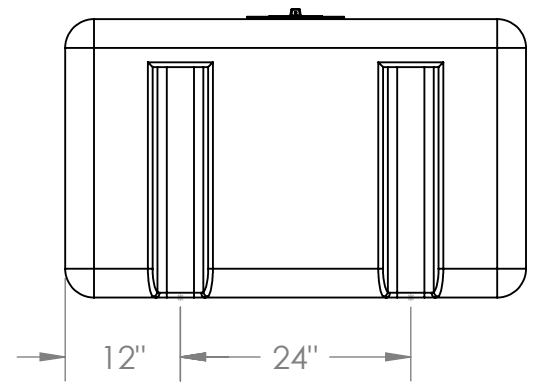
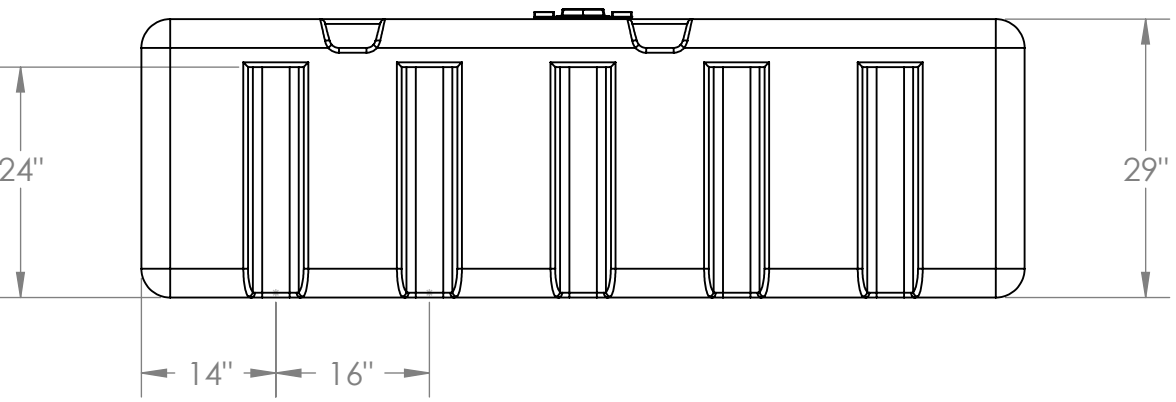


D

C

C

B



B

NOTES:

1. MATERIAL: POLYETHYLENE
2. CAPACITY: 500 GALLONS
3. WEIGHT: 185 LBS.

A

A

PROPRIETARY AND CONFIDENTIAL
THE INFORMATION CONTAINED IN THIS DRAWING IS THE SOLE PROPERTY OF <INSERT COMPANY NAME HERE>. ANY REPRODUCTION IN PART OR AS A WHOLE WITHOUT THE WRITTEN PERMISSION OF <INSERT COMPANY NAME HERE> IS PROHIBITED.

		UNLESS OTHERWISE SPECIFIED:		NAME	DATE	GOTO PLASTICS			
		DIMENSIONS ARE IN INCHES TOLERANCES: FRACTIONAL ± ANGULAR: MACH ± BEND ± TWO PLACE DECIMAL ± THREE PLACE DECIMAL ±		DRAWN	EBW			9-25-09	
		INTERPRET GEOMETRIC TOLERANCING PER:		CHECKED			TITLE: 500 GALLON RECTANGULAR TANK		
		MATERIAL		ENG APPR.					
		FINISH		MFG APPR.					
NEXT ASSY	USED ON			Q.A.			SIZE	DWG. NO.	REV
APPLICATION		DO NOT SCALE DRAWING		COMMENTS:			B	500 RT	
							SCALE: 1:20	WEIGHT:	SHEET 1 OF 1

8 7 6 5 4 3 2 1