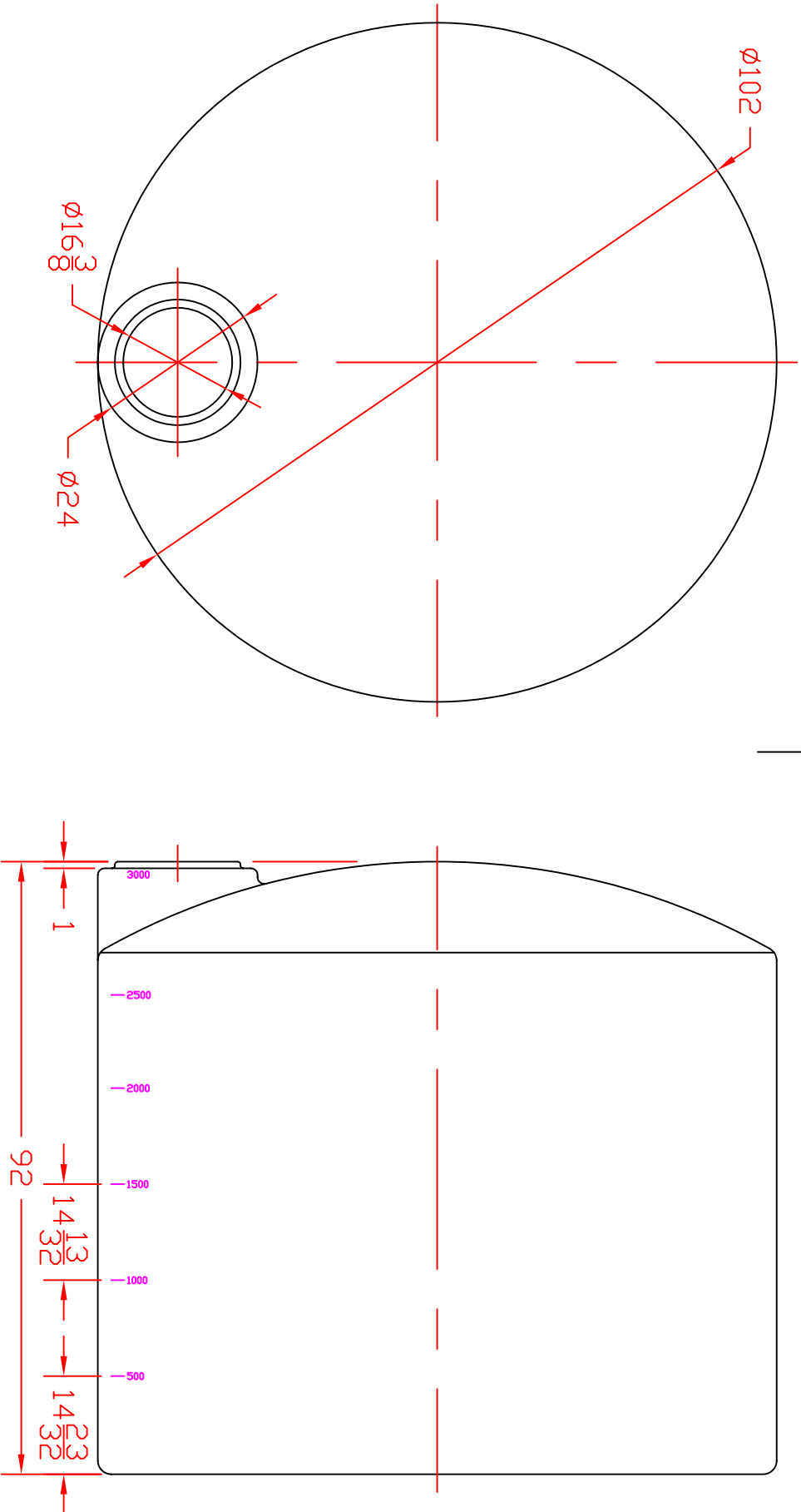


| REVISIONS |     |             |      |          |
|-----------|-----|-------------|------|----------|
| ZONE      | REV | DESCRIPTION | DATE | APPROVED |
|           |     |             |      |          |



FOB HANFORD, CA

|   |          |                                    |            |
|---|----------|------------------------------------|------------|
| <br>ST. BONIFACIUS, MN |          | 3000 GALLON VERTICAL<br>TANK X 102 |            |
|   |          | JTP 26FEB03                        | SCALE 1/24 |
| SIZE A  | FSCM NO. | DWG NO.                            | REV        |