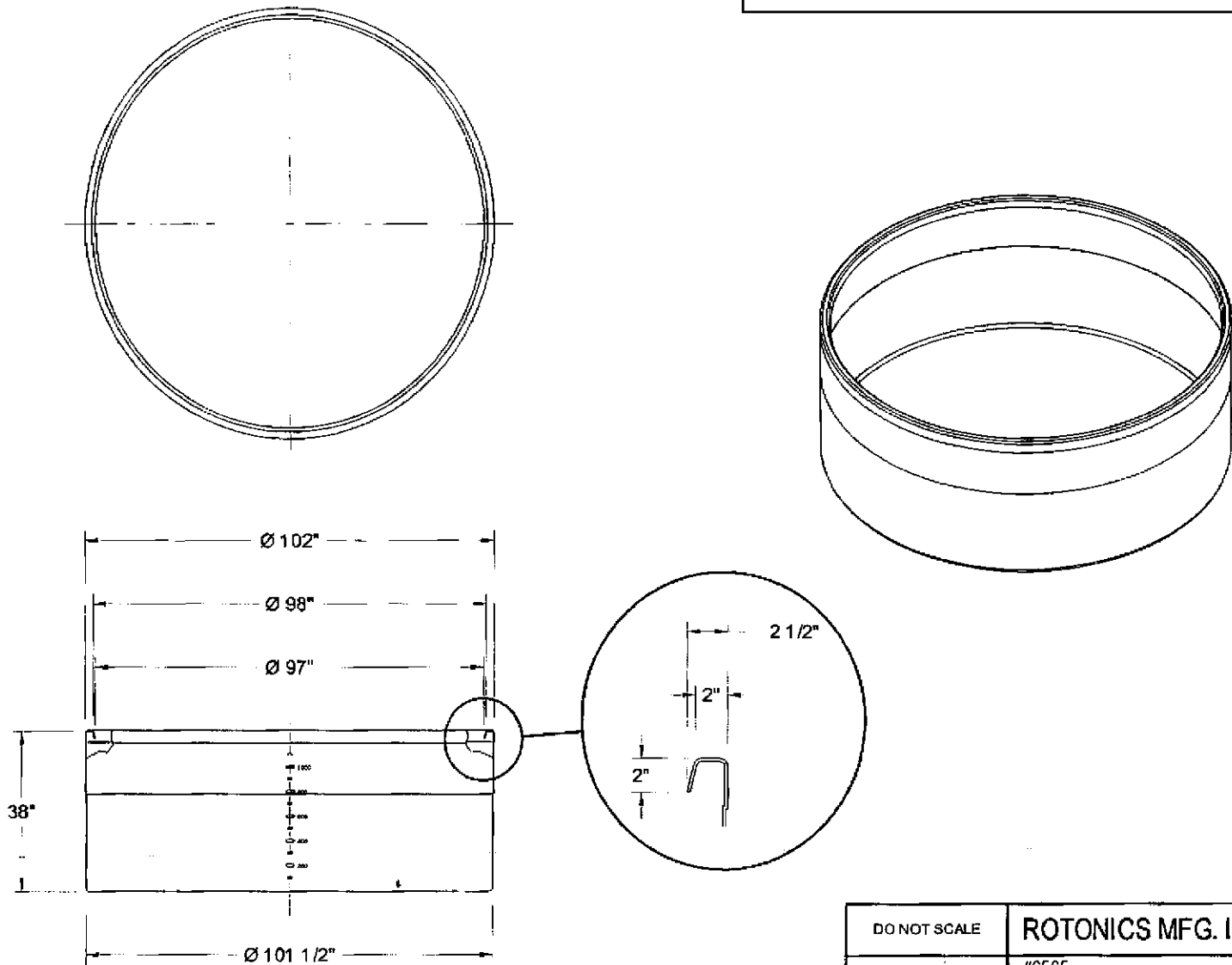


THIS DRAWING MAY NOT BE USED FOR ANY PURPOSE OTHER THAN BY THE OWNER. THE DRAWING & DESIGN ARE PROPERTY OF ROTONICS MANUFACTURING, INC. ALL DIMENSIONS SHOWN ARE OUTSIDE PART DIMENSIONS IN INCHES, AND MAY VARY DUE TO MATERIAL SHRINKAGE. SPECIFICATIONS ARE SUBJECT TO CHANGE WITHOUT NOTICE. GALLONS AND WEIGHTS ARE APPROXIMATE ONLY.



DO NOT SCALE		ROTONICS MFG. INC.		17038 S. FIGUEROA ST. GARDENA, CA. 90248 Phone: (310) 327-5401 Fax: (310) 323-8567	
APPROVALS	DATE	#6565			
DRAWN BY: DPHAM	4/24/07	Ø 102 x 38 - 1320 GAL OVERFLOW BASIN			
DESIGN BY: DPHAM		SIZE	DWS. No.	REV.	
CHECKED BY: MARIO P		A	H-1566		
APPROVED BY: MARIO P.		SCALE 1 = 1		SHEET 1 of 1	