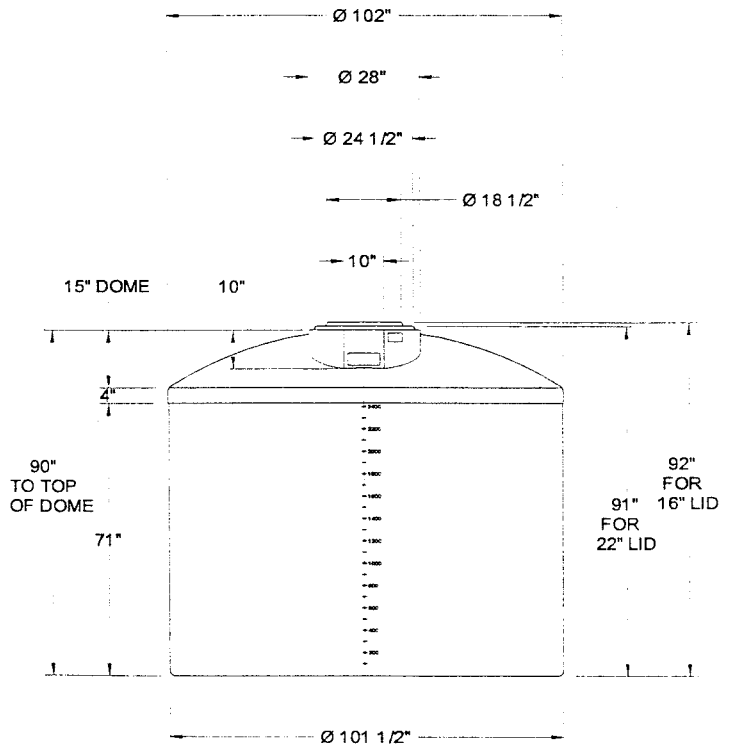
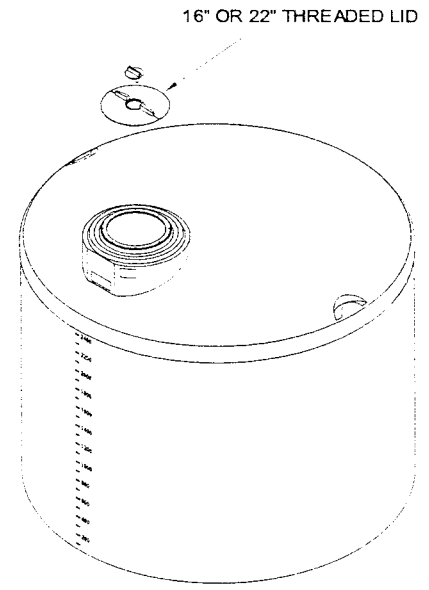
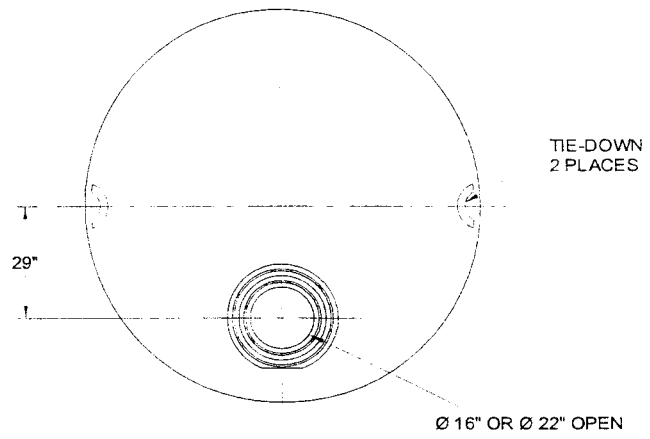


THIS DRAWING MAY NOT BE USED FOR ANY PURPOSE OTHER THAN BY THE OWNER. THE DRAWING & DESIGN ARE PROPERTY OF ROTONICS MANUFACTURING, INC. ALL DIMENSIONS SHOWN ARE OUTSIDE PART DIMENSIONS IN INCHES, AND MAY VARY DUE TO MATERIAL SHRINKAGE. SPECIFICATIONS ARE SUBJECT TO CHANGE WITHOUT NOTICE. GALLONS AND WEIGHTS ARE APPROXIMATE ONLY.



| | OVERAL HEIGHT |
|--------------|---------------|
| WITH 16" LID | 94" |
| WITH 22" LID | 93" |

| | | | | | |
|--------------------------|----------|--|-------------------|--|--|
| DO NOT SCALE | | ROTONICS MFG. INC. | | 17038 S. FIGUEROA ST. GARDENA, CA 90248 Phone: (310) 327-5401 Fax: (310) 323-9567 | |
| APPROVALS | DATE | NEW Ø 102 - 3000 gal. VERTICAL TANK | | | |
| DRAWN BY: DPHAM | 12/09/05 | | | | |
| DESIGN BY: DPHAM | | | | | |
| CHECKED BY: MARIO P. | | | | | |
| APPROVED BY: MARIO P. | | SIZE A | DWG. No S-1449 | REV. | |
| SCALE : 1 = 50 | | SHEET 1 of 1 | | | |