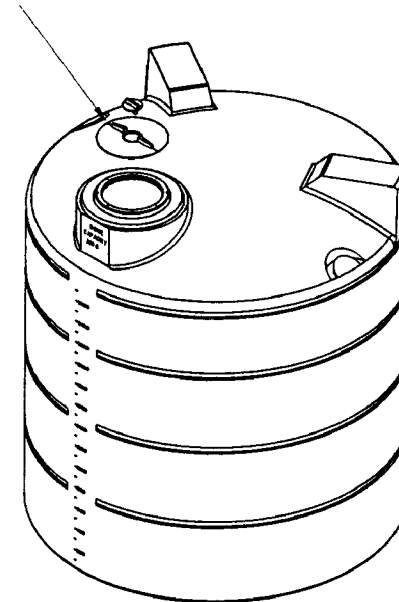


16" OR 22" THREADED LID



	OVERAL HEIGHT
WITH 16 " LID	108"
WITH 22 " LID	107"

RMI-D  
6770 Brighton Blvd.  
Commerce City, CO 80022  
Phone: 303-227-9300  
Fax: 303-227-9308

RMI-G  
17038 S. Figueroa St.  
Gardena, CA 90248  
Phone: 310-327-5401  
Fax: 310-323-9567

# ROTONICS MFG. INC.

#6390

## Ø 96 - 3000 gal VERTICAL TANK

DRAWN BY: Dpham	DESIGN BY: Dpham	DATE: 02/18/03	SCALE: 1 = 50	DWG. No. <b>S-1436</b>
--------------------	---------------------	-------------------	------------------	---------------------------

THIS DRAWING MAY NOT BE USED FOR ANY PURPOSE OTHER THAN BY THE OWNER. THE DRAWING & DESIGN ARE PROPERTY OF ROTONICS MANUFACTURING, INC. ALL DIMENSIONS SHOWN ARE OUTSIDE PART DIMENSIONS IN INCHES, AND MAY VARY DUE TO MATERIAL SHRINKAGE. SPECIFICATIONS ARE SUBJECT TO CHANGE WITHOUT NOTICE. GALLONS AND WEIGHTS ARE APPROXIMATE ONLY.