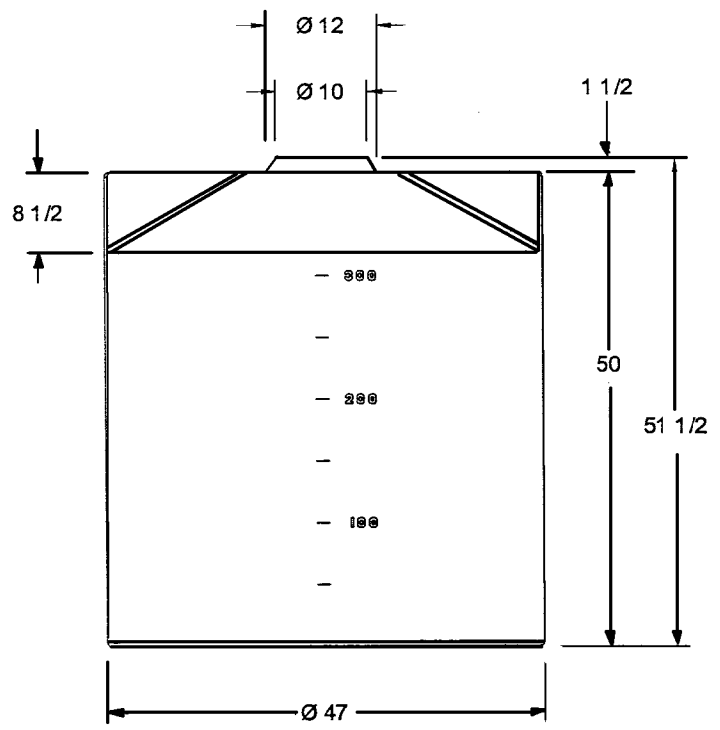
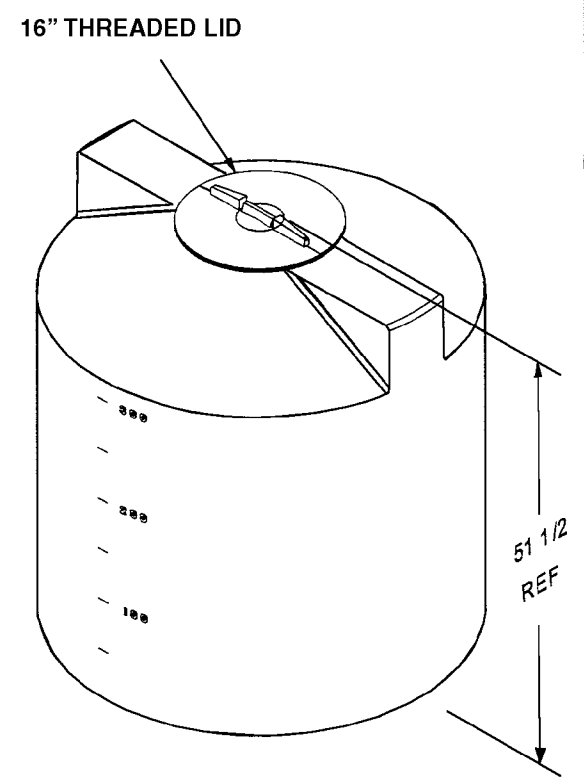
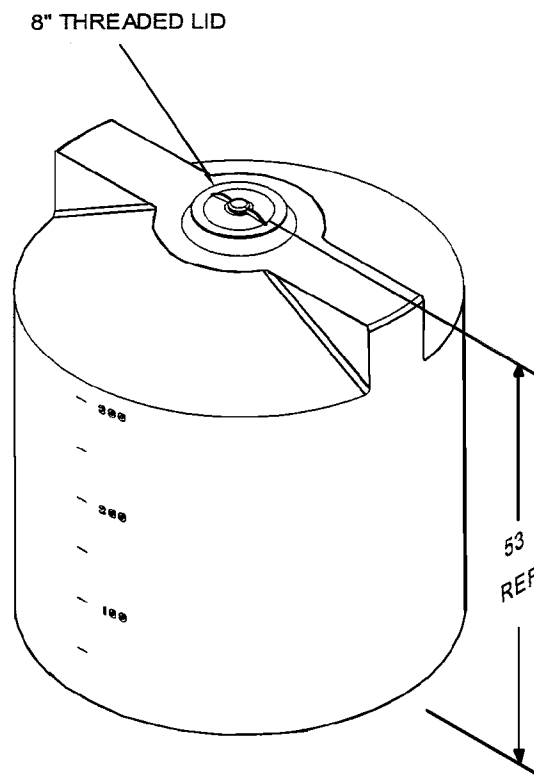
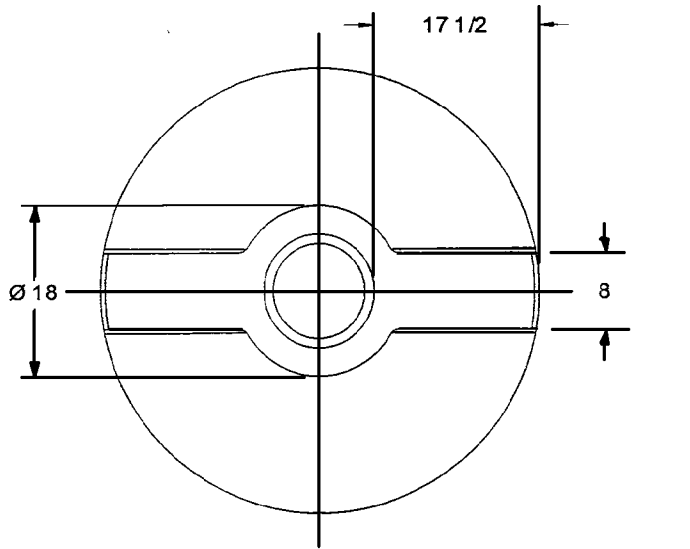


THIS DRAWING MAY NOT BE USED FOR ANY PURPOSE OTHER THAN BY THE OWNER. THE DRAWING & DESIGN ARE PROPERTY OF ROTONICS MANUFACTURING, INC. ALL DIMENSIONS SHOWN ARE OUTSIDE PART DIMENSIONS IN INCHES, AND MAY VARY DUE TO MATERIAL SHRINKAGE. SPECIFICATIONS ARE SUBJECT TO CHANGE WITHOUT NOTICE. GALLONS AND WEIGHTS ARE APPROXIMATE ONLY.



RM-C 736 Birginal Drive Bensenville, IL 60106 Phone: 630-773-9510 Fax: 630-773-4274	RMI-F 230 Bartow Mun. Airport Bartow, FL 33830 Phone: 863-534-1766 Fax: 863-533-0407	RMI-G 17038 S. Figueroa St. Gardena, CA 90248 Phone: 310-327-5401 Fax: 310-323-9567
---	--	---

ROTONICS MFG. INC.			
#6330			
Ø 47 - 330 GAL. VERT. TANK			
DRAWN BY: Dpham	DATE : 9-25-03	SCALE : 1 = 20	DWG. No. S-1098 REV. A