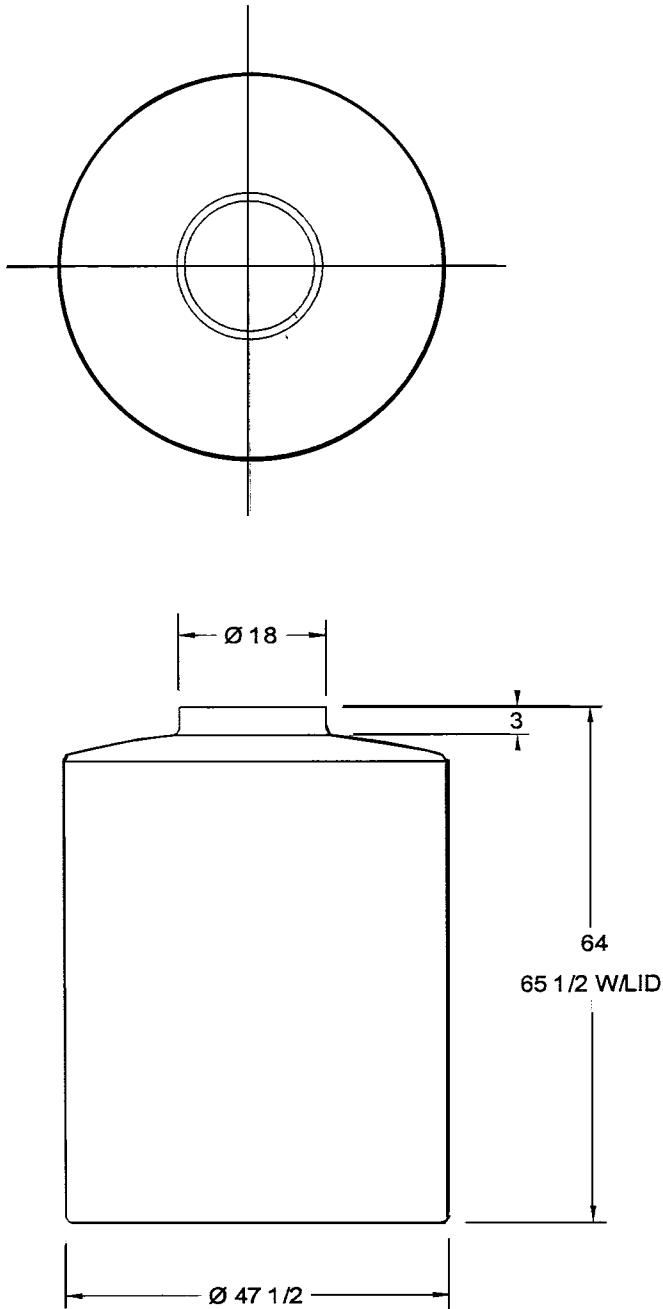
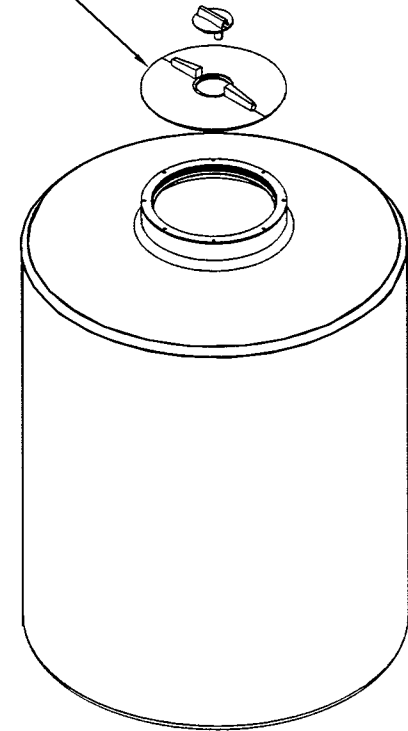


THIS DRAWING MAY NOT BE USED FOR ANY PURPOSE OTHER THAN BY THE OWNER. THE DRAWING & DESIGN ARE PROPERTY OF ROTONICS MANUFACTURING, INC. ALL DIMENSIONS SHOWN ARE OUTSIDE PART DIMENSIONS IN INCHES, AND MAY VARY DUE TO MATERIAL SHRINKAGE. SPECIFICATIONS ARE SUBJECT TO CHANGE WITHOUT NOTICE. GALLONS AND WEIGHTS ARE APPROXIMATE ONLY.



16" THREADED LID



ROTONICS MFG. INC.

17038 S. FIGUEROA ST.
GARDENA CA. 90248
Phone: (310) 327-5401
Fax: (310) 323-9567

#6331

$\text{Ø } 47 \frac{1}{2}$ - 450 gal. VERT. TANK

DRAWN BY:
Dpham

DESIGN BY:

DATE: **
9-25-03

SCALE:
1 = 24

DWG. No.

S-1111