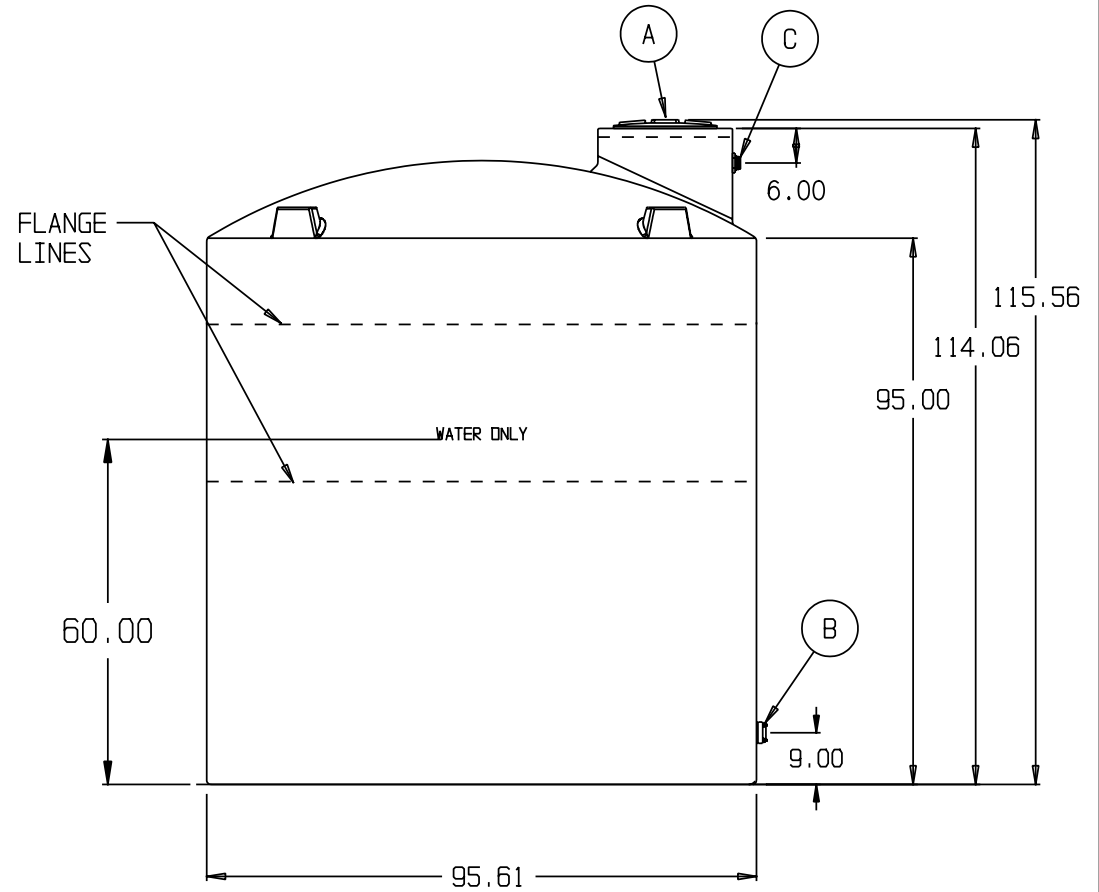
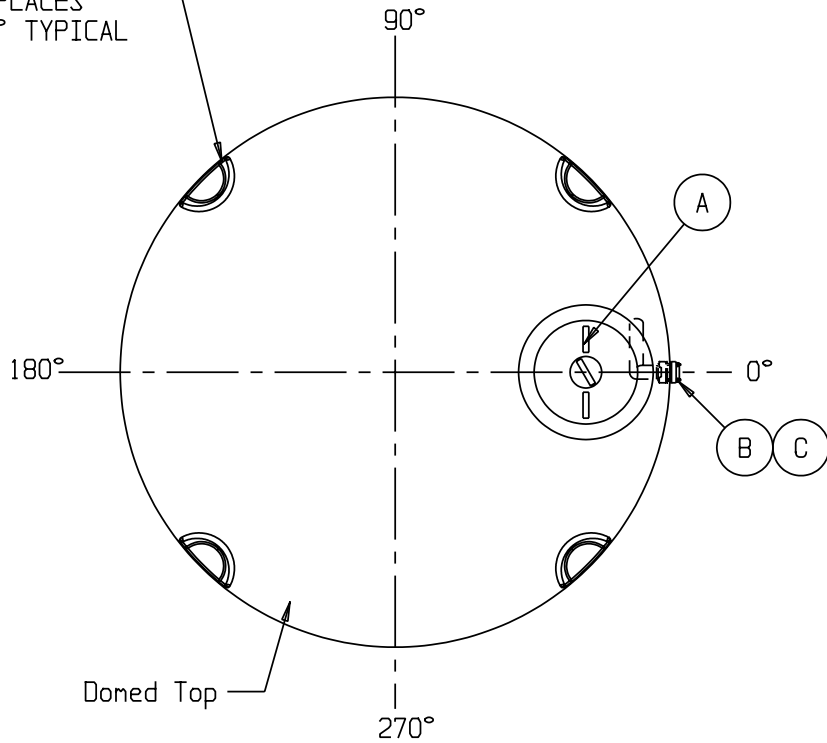


WATER

SNYDER INDUSTRIES INC.

TIE-DOWN  
4 PLACES  
90° TYPICAL



- A. 18" PE THREADED-VENTED MANWAY W/15" ACCESS [P/N 34700087]
- B. 2" PP DBL FLANGED BOLTED FTG <BANJO #BF230> W/EPDM GASKETS & SS BOLTS [P/N 34100132]
- C. 1-1/2" PP TxT BH BANJO FTG W/EPDM GASKET [P/N 34100144]

\* BASE FITTINGS TO BE LEFT INSTALLED AT TIME OF SHIPMENT PER SII PROCEDURE  
 \* Consult Snyder's Guidelines for Use and Installation prior to delivery.  
 Available on-line at [www.snydernet.com](http://www.snydernet.com)

(all dimensions in inches)

PART # TANK: 531020000W94203 & 99803 (C)  
 HDLPE/BLK & GDD/WATER

3,000 GALLON BLAKC & DARK OLIVE GREEN WATER TANK

REF#: 0000

04/04/07