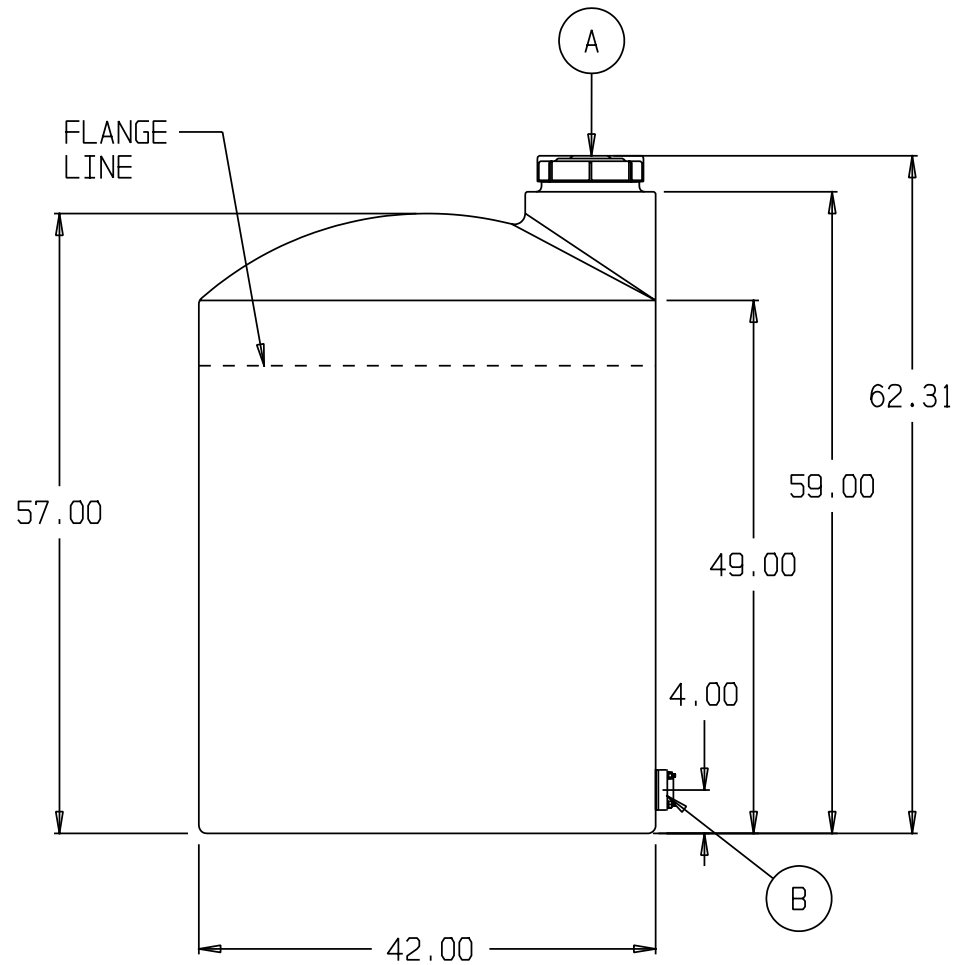
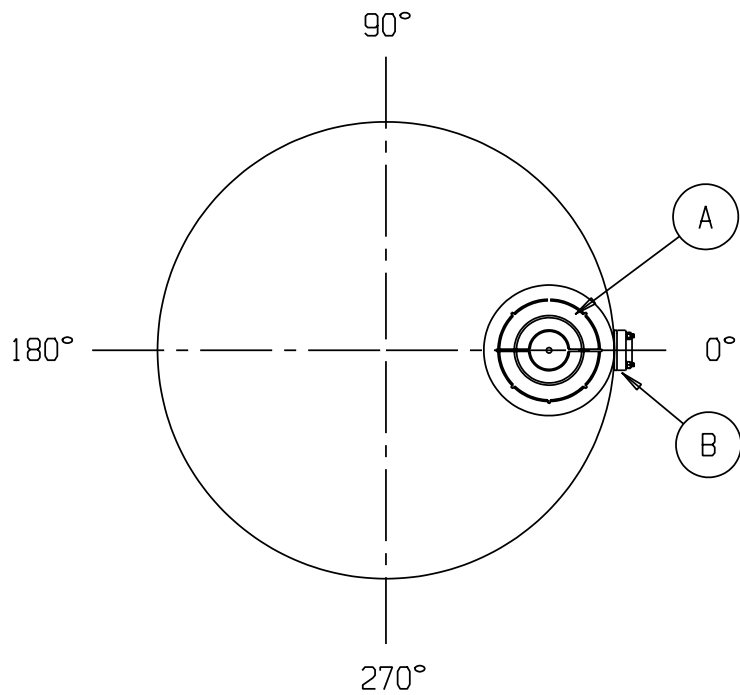


WATER

SNYDER INDUSTRIES INC.



- A. 10" PE THREADED-VENTED FILL CAP W/7" ACCESS [P/N 34700088]
 - B. 2" PP DBL FLANGED BOLTED FTG W/EPDM GASKETS & SS BOLTS[P/N 34100103]
- * BASE FITTINGS TO BE LEFT INSTALLED AT TIME OF SHIPMENT PER SII PROCEDURE
* Consult Snyder's Guidelines for Use and Installation prior to delivery.
Available on-line at www.snydernet.com

(all dimensions in inches)

PART # TANK: 1630200W94201 & 99801 (C)
HDLPE/BLK & GDO/WATER

310 GALLON VERTICAL BLACK & DARK OLIVE GREEN WATER TANK

REF#: 00000

04/03/07