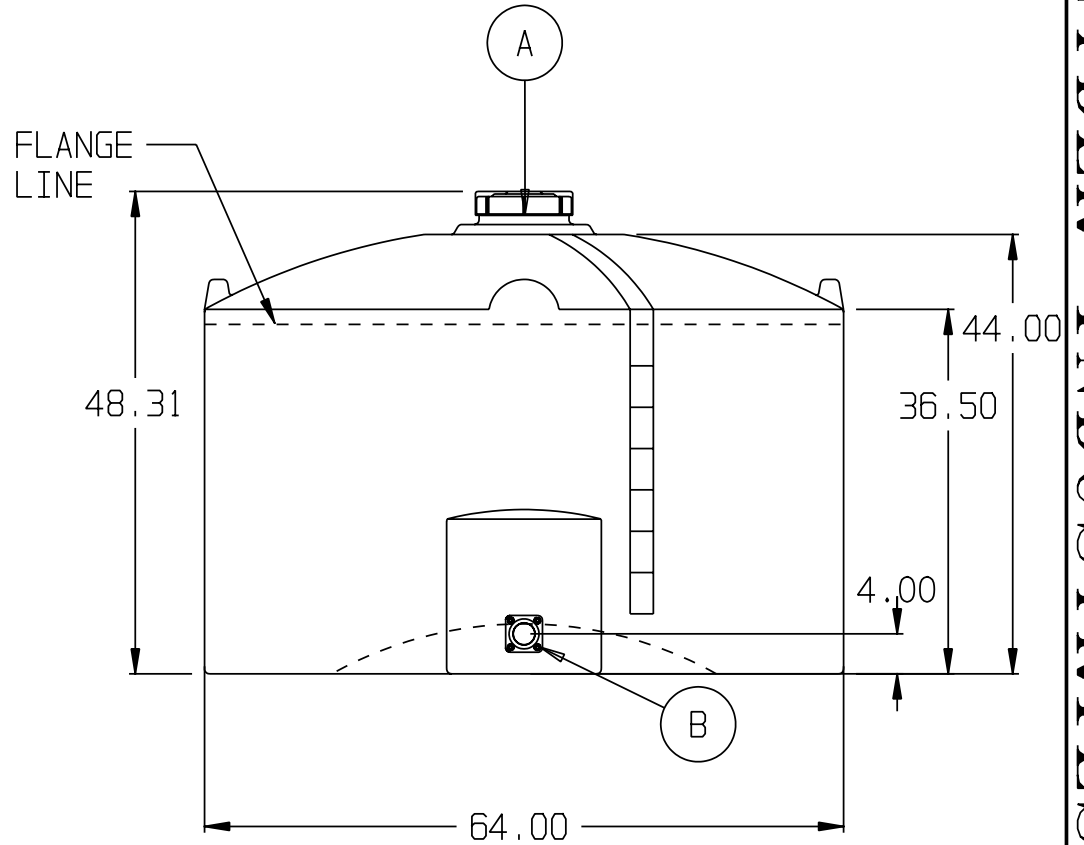
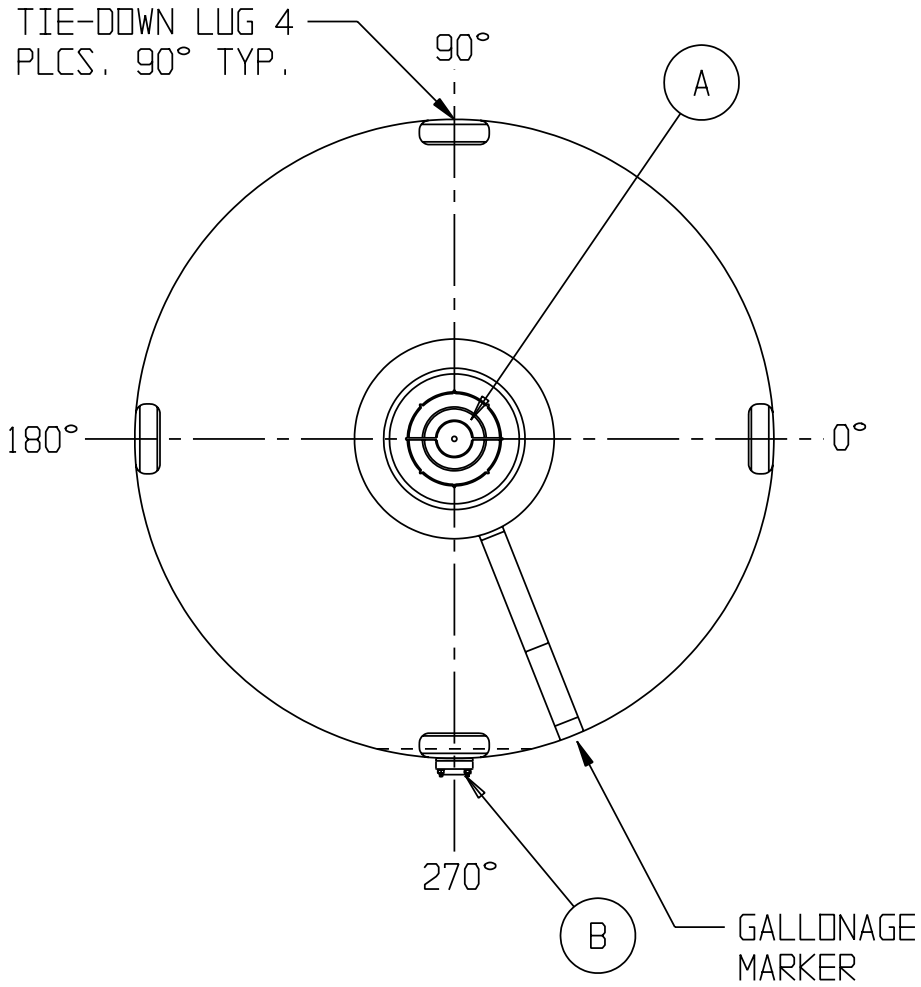


WATER

SNYDER INDUSTRIES INC.



A. 10" PE THREADED-VENTED FILL CAP [P/N 34700088]

B. 2" PP DBL FLANGED BOLTED FTG W/EPDM GASKETS & SS BOLTS [P/N 34100103]

* BASE FITTINGS TO BE LEFT INSTALLED AT TIME OF SHIPMENT PER SII PROCEDURE

* Consult Snyder's Guidelines for Use and Installation prior to delivery.

Available on-line at www.snydernet.com

(all dimensions in inches)

PART # TANK: 1670000W94203 & 99803 (C)
HDLPE/BLK & GDD/WATER

REF#: 0000

04/03/07

550 GALLON BLACK AND DARK OLIVE GREEN WATER TANK