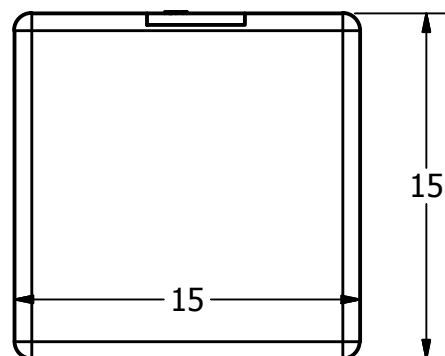
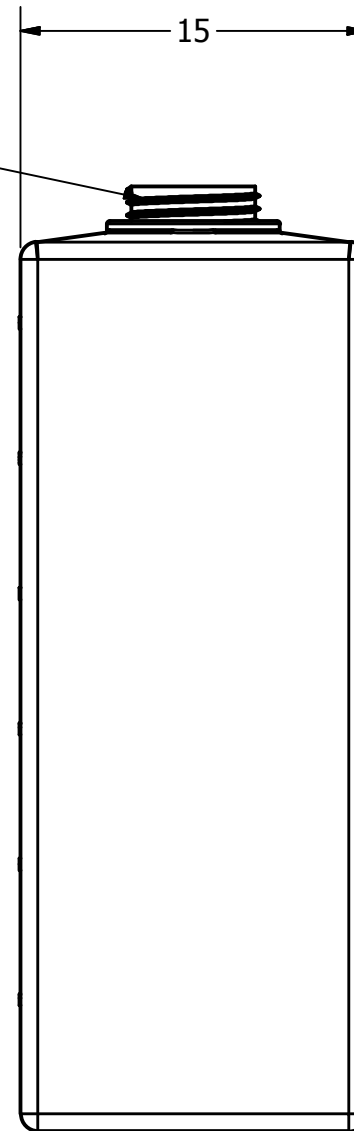



THREADS FOR 5" CAP



DRAWN Liv Oltean	1-27-2016	 NORWESCO, INC. SAINT BONIFACIUS, MN		
CHECKED				
QA		TITLE		
MFG		35 GALLON FLAT BOTTOM UTILITY TANK		
APPROVED		SIZE	DWG NO	REV
		B		
		SCALE: 1/16	SHEET 1 OF 1	